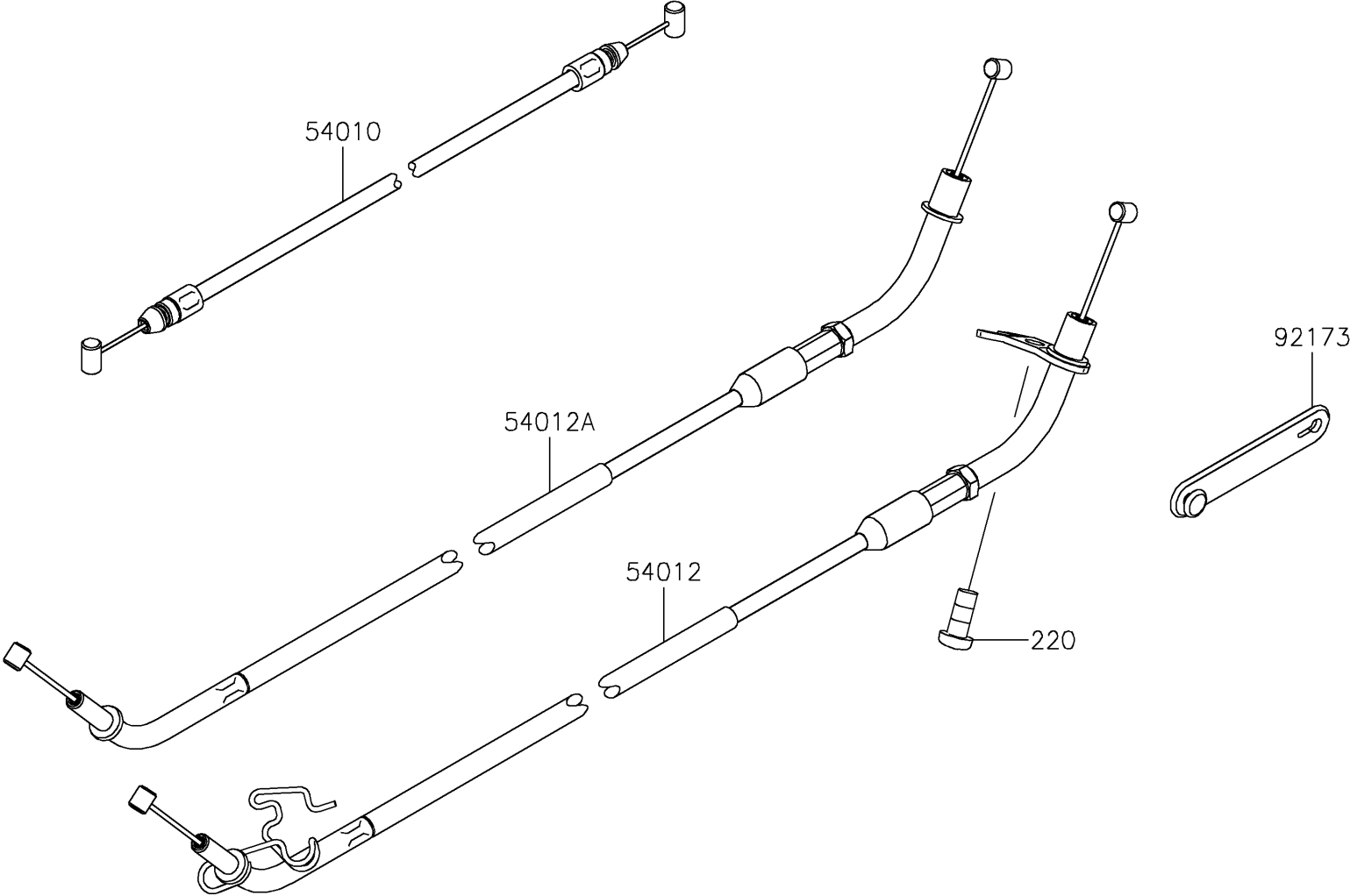


2020 Ninja H2™ SX SE+ PARTS DIAGRAM

Cables

F2540



2020 Ninja H2™ SX SE+ PARTS LIST

Cables

ITEM NAME	PART NUMBER	QUANTITY
SCREW-PAN-CROS,6X14 (Ref # 220)	220AB0614	1
CABLE,SEAT LOCK (Ref # 54010)	54010-0626	1
CABLE-THROTTLE,RETURN (Ref # 54012)	54012-0663	1
CABLE-THROTTLE,PULL (Ref # 54012A)	54012-0664	1
CLAMP (Ref # 92173)	92173-1526	1