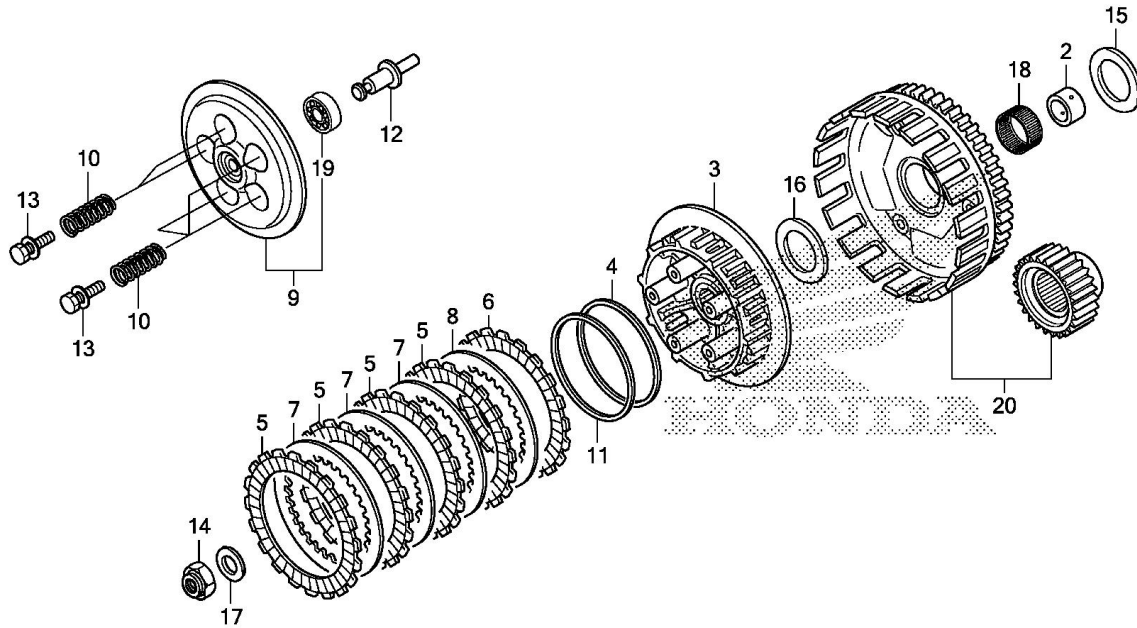




| | | | |
|-------------------|----------------|---------------------|------------------------------|
| Model Name | CBR300R | Product Line | MOTORCYCLE |
| Model ID | CBR300R | Year | 2017 |
| Mfg | THA | Area | |
| Section | ENGINE | Clr Label | R263-(MILLENNIUM RED) |
| | | Illustration | CLUTCH |



FR.
 K334E0800A

| Ref. | Part Number | Part Description | Qty. |
|------|----------------|---------------------------------|------|
| 002 | 22116-K33-D00 | GUIDE A, CLUTCH (OUTER) (WHITE) | 001 |
| 002 | 22117-K33-D00 | GUIDE B, CLUTCH (OUTER) (BLUE) | 001 |
| 003 | 22121-KZZ-901 | CENTER, CLUTCH | 001 |
| 004 | 22125-KZZ-901 | SEAT, JUDDER SPRING | 001 |
| 005 | 22201-MGZ-J01 | DISK, CLUTCH FRICTION | 004 |
| 006 | 22202-KZZ-901 | DISK B, CLUTCH FRICTION | 001 |
| 007 | 22321-KYJ-902 | PLATE, CLUTCH | 003 |
| 008 | 22322-KZZ-901 | PLATE B, CLUTCH | 001 |
| 009 | 22350-KYJ-902 | PLATE, CLUTCH PRESSURE | 001 |
| 010 | 22401-K33-D01 | SPRING, CLUTCH | 005 |
| 011 | 22402-KZZ-902 | SPRING, JUDDER | 001 |
| 012 | 22847-KZZ-900 | PIN, CLUTCH LIFTER | 001 |
| 013 | 90050-KYJ-902 | BOLT (6X1.0) | 005 |
| 014 | 90201-KYJ-900 | NUT, SPECIAL (16MM) | 001 |
| 015 | 90404-KVK-900 | WASHER (20X40X2) | 001 |
| 016 | 90404-KYJ-902 | WASHER (20X40X2) | 001 |
| 017 | 90434-KPS-900 | WASHER (16MM) | 001 |
| 018 | 91012-KYJ-901 | BEARING, NEEDLE (28X33X16.8) | 001 |
| 019 | 96100-60010-00 | BEARING, RADIAL BALL (6001) | 001 |
| 020 | 23121-K33-305 | GEAR SET, PRIMARY DRIVEN | 001 |