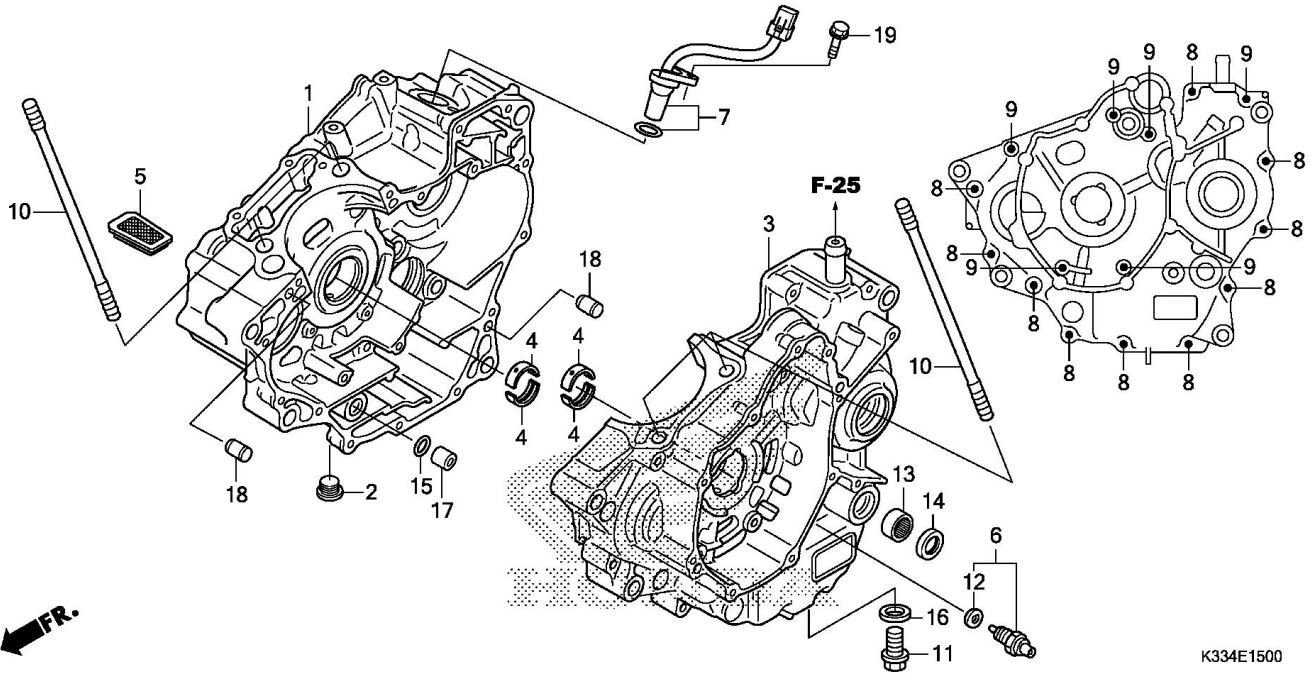




Model Name	CBR300R	Product Line	MOTORCYCLE
Model ID	CBR300R	Year	2017
Mfg	THA	Area	
Section	ENGINE	Clr Label	R263-(MILLENNIUM RED)
		Illustration	CRANKCASE



K334E1500

Ref.	Part Number	Part Description	Qty.
001	11100-K33-D00	CRANKCASE, R.	001
002	11107-KYJ-900	BOLT, SEALING (16MM)	001
003	11200-K33-D00	CRANKCASE, L.	001
004	13315-K33-305	BEARING D, CRANKSHAFT (OVER SIZE) (RED)	(4)
004	13316-K33-305	BEARING E, CRANKSHAFT (OVER SIZE) (GREEN)	(4)
004	13317-K33-305	BEARING F, CRANKSHAFT (OVER SIZE) (YELLOW)	(4)
004	13318-K33-305	BEARING G, CRANKSHAFT (OVER SIZE) (PINK)	(4)
004	13312-K33-D01	BEARING A, CRANKSHAFT (BLUE)	004
004	13313-K33-D01	BEARING B, CRANKSHAFT (BLACK)	004
004	13314-K33-D01	BEARING C, CRANKSHAFT (BROWN)	004
005	15421-KYJ-900	SCREEN, OIL FILTER	001
006	35600-425-023	SWITCH ASSY., NEUTRAL	001
007	37700-KYJ-901	SENSOR ASSY., SPEED	001
008	90014-KYJ-900	BOLT, FLANGE (6X40) (NSHF)	010
009	90016-KYJ-900	BOLT, FLANGE (6X70) (NSHF)	006
010	90032-K33-D00	BOLT, STUD (10X178)	004
011	90061-KYJ-900	BOLT, DRAIN PLUG (12MM)	001
012	90443-KR0-000	WASHER, NEUTRAL SWITCH	001
013	91028-MGS-D21	BEARING, NEEDLE (14X20X12)	001
014	91203-KSP-911	OIL SEAL (14X22X5) (ARAI)	001
015	91301-KYJ-901	O-RING (11.8X1.9)	001
016	94109-12000	WASHER, DRAIN PLUG (12MM)	001
017	94301-12160	PIN A, DOWEL (12X16)	001
018	94302-08140	PIN B, DOWEL (8X14)	002
019	95701-06018-00	BOLT, FLANGE (6X18)	001