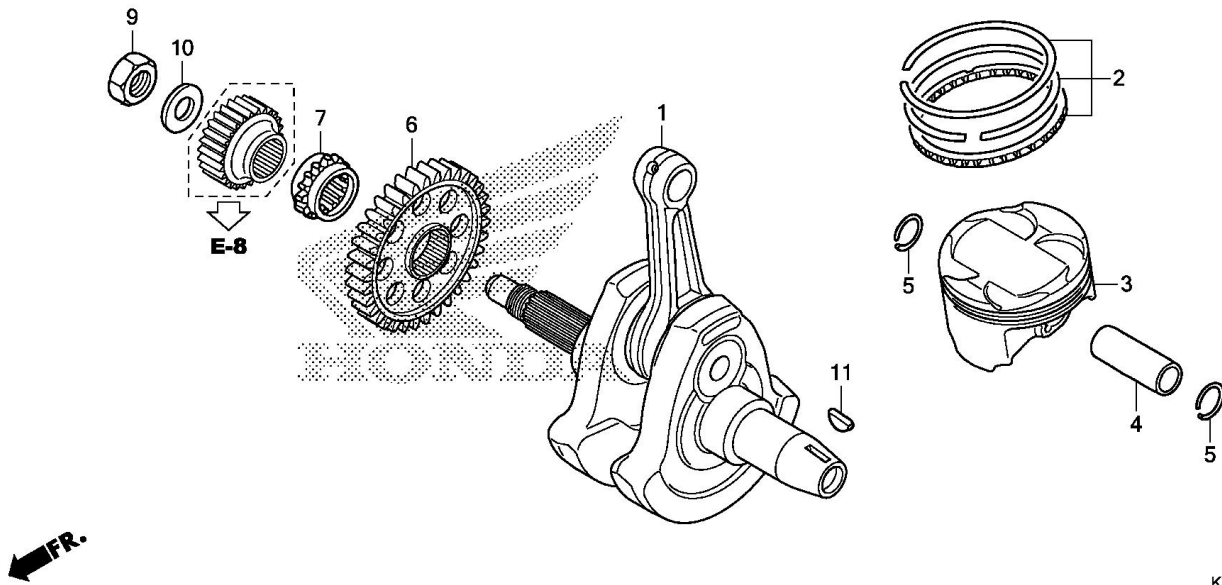




<b>Model Name</b>	<b>CBR300R</b>	<b>Product Line</b>	<b>MOTORCYCLE</b>
<b>Model ID</b>	<b>CBR300R</b>	<b>Year</b>	<b>2017</b>
<b>Mfg</b>	<b>THA</b>	<b>Area</b>	
<b>Section</b>	<b>ENGINE</b>	<b>Clr Label</b>	<b>R263-(MILLENNIUM RED)</b>
		<b>Illustration</b>	<b>CRANKSHAFT - PISTON</b>



K334E1600A

Ref.	Part Number	Part Description	Qty.
001	13000-K33-D04	CRANKSHAFT (N/A- ORDER 06130-K33-305)	001
002	13010-KYJ-305	RING SET, PISTON (STD)	001
003	13101-K33-D00	PISTON	001
004	13111-MEL-000	PIN, PISTON	001
005	13112-K33-D00	CLIP, PISTON PIN (17MM)	002
006	13417-K33-D00	GEAR, BALANCER DRIVE (35T)	001
007	14311-KYJ-900	SPROCKET, TIMING (17T)	001
009	90235-KYJ-900	NUT, LOCK (16MM)	001
010	90434-KPS-900	WASHER (16MM)	001
011	90742-KYJ-900	KEY, WOODRUFF (25X18)	001