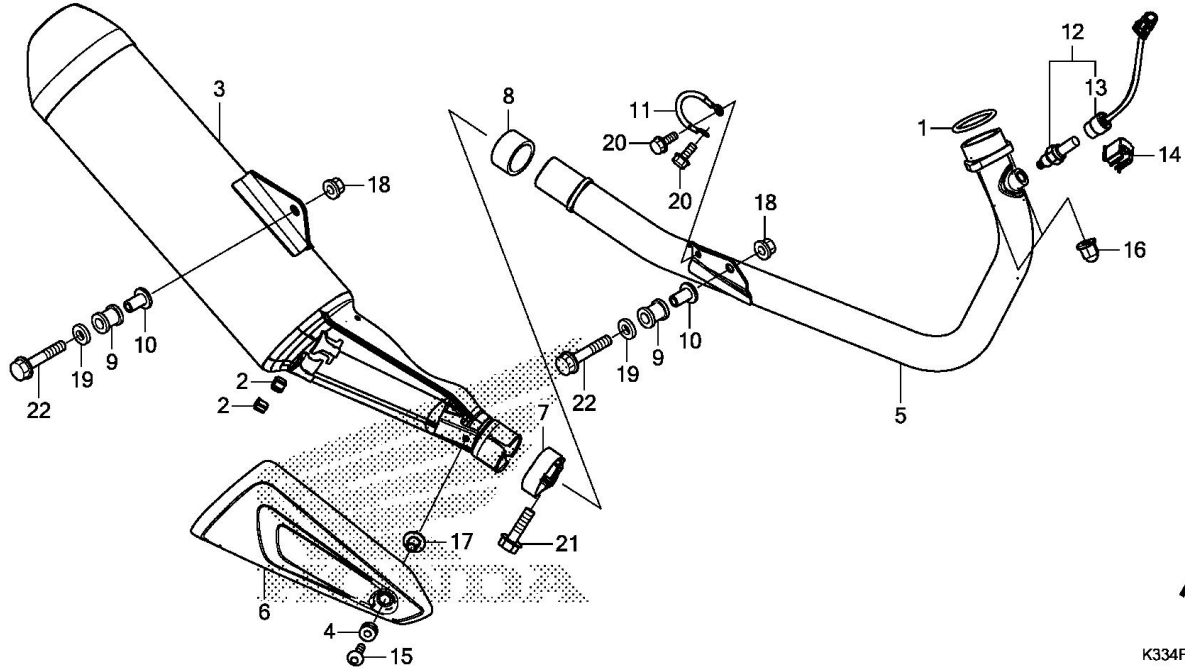




Model Name	CBR300R	Product Line	MOTORCYCLE
Model ID	CBR300R	Year	2017
Mfg	THA	Area	
Section	FRAME	Clr Label	R263-(MILLENNIUM RED)
		Illustration	MUFFLER



Ref.	Part Number	Part Description	Qty.
001	18291-MEB-670	GASKET, EX. PIPE	001
002	18293-MN0-000	RUBBER, PROTECTOR	002
003	18310-K75-305	MUFFLER (COO)	001
004	18320-196-000	RUBBER A, PROTECTOR	001
005	18320-K75-305	PIPE, EX. (COO)	001
006	18355-K33-D00	COVER, MUFFLER	001
007	18373-K33-D00	BAND, MUFFLER	001
008	18392-KYJ-901	GASKET, MUFFLER	001
009	18421-K75-A50	RUBBER, MUFFLER MOUNTING	002
010	18422-KAF-700	COLLAR, MUFFLER MOUNTING	002
010	18422-MAL-600	COLLAR, MUFFLER MOUNTING	002
011	32200-K33-D00	SUB-HARNESS, OXYGEN SENSOR GROUND	001
012	36532-K33-D01	SENSOR, OXYGEN	001
013	36533-K33-D01	WIRE, OXYGEN SENSOR	001
014	36538-K33-D00	COVER, SENSOR (O2)	001
015	90118-MGZ-J00	SCREW, PAN (6X20)	001
016	90304-KPH-700	NUT, HEX. CAP (8MM)	002
017	90502-KGB-610	COLLAR, HEAD SIDE COVER	001
018	94050-08000	NUT, FLANGE (8MM)	002
019	94103-08000	WASHER, PLAIN (8MM)	002
020	95701-06010-00	BOLT, FLANGE (6X10)	002
021	95701-08038-02	BOLT, FLANGE (8X38)	001
022	95701-08050-00	BOLT, FLANGE (8X50)	002