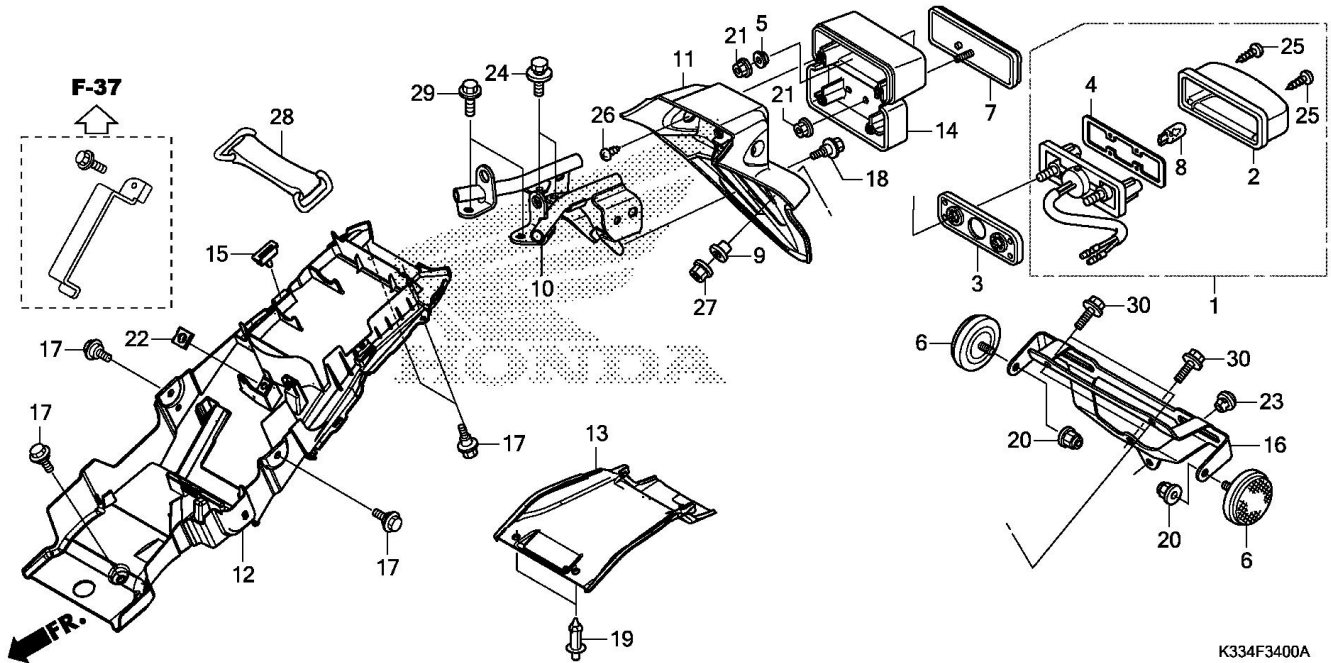




Model Name	CBR300R	Product Line	MOTORCYCLE
Model ID	CBR300R	Year	2017
Mfg	THA	Area	
Section	FRAME	Clr Label	R263-(MILLENNIUM RED)
		Illustration	REAR FENDER



Ref.	Part Number	Part Description	Qty.
001	33720-K33-305	LIGHT ASSY., LICENSE (12V 5W) (COO)	001
002	33723-KYJ-901	COVER	001
003	33728-KPP-T00	RUBBER, LICENSE LIGHT	001
004	33729-KSP-B01	GASKET, LENS	001
005	33731-MJ0-940	COLLAR, REGULATOR MOUNTING	002
006	33741-HB9-641	REFLECTOR, RR. REFLEX (RED)	002
007	33741-KPL-902	REFLECTOR, REFLEX	001
008	34903-K29-902	BULB, LICENSE LIGHT (12V 5W) (W5W) (LIFE ELEX)	001
009	44125-MN5-000	COLLAR, FR. WHEEL COVER	003
010	50186-K33-D00	STAY, RR. FENDER	001
011	80100-KPP-T00	FENDER, RR.	001
012	80101-K33-D00	FENDER B, RR.	001
013	80140-K33-D00	COVER, RR. (LOWER)	001
014	80201-KYJ-920	BRACKET, LICENSE LIGHT	001
015	83705-K33-D00	PLUG, RUBBER	001
016	84700-KYJ-920	BRACKET, NUMBER PLATE	001
017	90111-162-000	BOLT, FLANGE (6MM)	005
018	90111-187-000	BOLT, FLANGE (6MM)	001
019	90116-SP0-003	CLIP, BUMPER SEAL	002
020	90301-KGH-901	NUT, U (6MM) (FUJI SEIMITSU)	002
021	90301-KWN-901	NUT, U (5MM)	003
022	90320-MM5-000	NUT, SPRING (6MM)	001
023	90852-446-630	PLUG, HOLE	001
024	93404-06014-00	BOLT-WASHER (6X14)	002
025	93901-24480	SCREW, TAPPING (4X16)	002
026	93903-44380	SCREW, TAPPING (4X12)	004
027	94050-06000	NUT, FLANGE (6MM)	003
028	95012-15001	BAND, BATTERY (132MM)	001
029	95701-08012-00	BOLT, FLANGE (8X12)	002
030	96001-06014-07	BOLT, FLANGE (6X14)	003