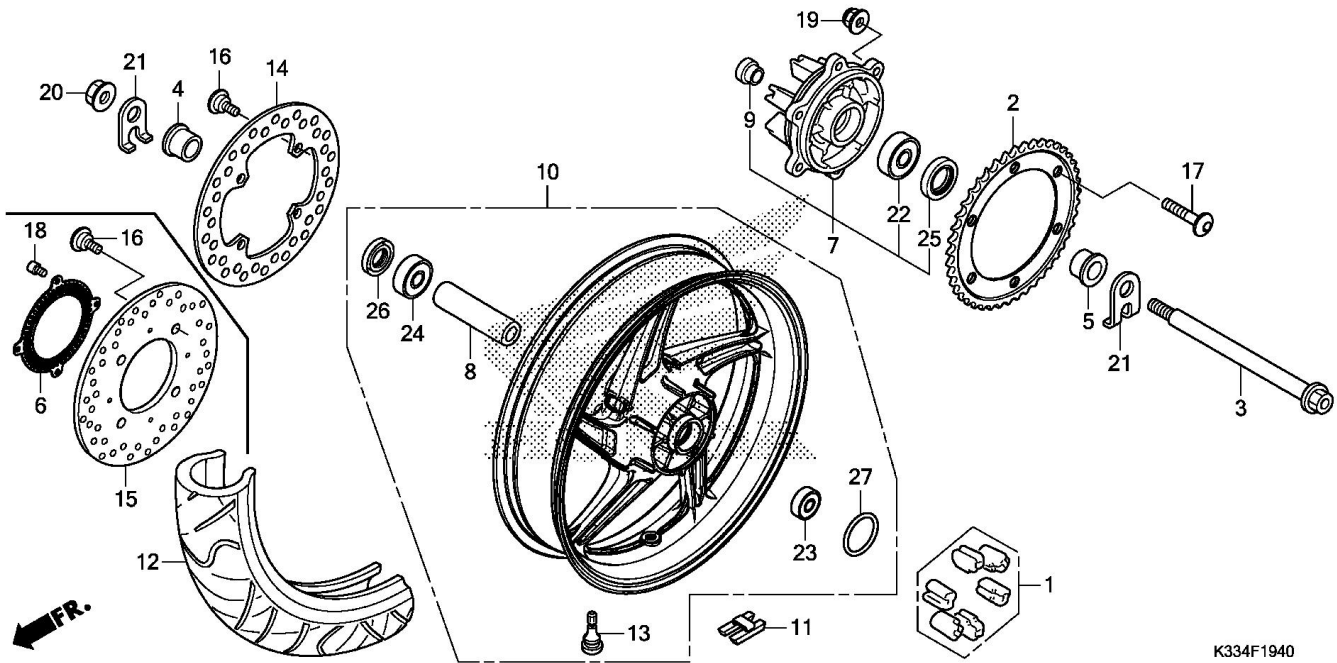




<b>Model Name</b>	<b>CBR300R</b>	<b>Product Line</b>	<b>MOTORCYCLE</b>
<b>Model ID</b>	<b>CBR300R</b>	<b>Year</b>	<b>2017</b>
<b>Mfg</b>	<b>THA</b>	<b>Area</b>	
<b>Section</b>	<b>FRAME</b>	<b>Clr Label</b>	<b>R263-(MILLENNIUM RED)</b>
		<b>Illustration</b>	<b>REAR WHEEL</b>



Ref.	Part Number	Part Description	Qty.
001	06410-KEA-750	DAMPER SET, WHEEL	001
002	41201-K33-D00	SPROCKET, FINAL DRIVEN (36T)	001
003	42301-KYJ-900	AXLE, RR. WHEEL	001
004	42312-KYJ-900	COLLAR, R. RR. WHEEL SIDE	001
005	42313-KYJ-900	COLLAR, L. RR. WHEEL SIDE	001
007	42615-K33-D00ZA	FLANGE SUB-ASSY., RR. DRIVEN *NH303M*(MAT AXIS GRAY METALLIC)	001
008	42620-KYJ-900	COLLAR, RR. WHEEL DISTANCE	001
009	42625-MC4-000	COLLAR B, RR. AXLE DISTANCE	001
010	42650-K33-D01ZA	WHEEL SUB-ASSY., RR. *NH303M*(MAT AXIS GRAY METALLIC)	001
011	42704-MER-D00	WEIGHT, BALANCE (10G)	AR
011	42705-MER-D00	WEIGHT, BALANCE (20G)	AR
011	42706-MER-D00	WEIGHT, BALANCE (30G)	AR
012	42711-KYJ-904	TIRE, RR. (140/70-17M/C 66S) (IRC)	001
013	42753-KWF-901	VALVE, RIM (TRITON)	001
013	42753-K38-901	VALVE, RIM	001
014	43251-KYJ-901	DISK, RR. BRAKE	001
016	90105-KGH-900	BOLT, BRAKE DISK (8X24)	004
017	90128-KYJ-900	BOLT, SPROCKET FIXING	006
019	90304-KGH-901	NUT, U (10MM) (FUJI SEIMITSU)	006
020	90306-MGZ-J01	NUT, U FLANGE (16MM)	001
021	90559-KYJ-900	WASHER, RR. SWINGARM	002
022	91013-MCG-901	BEARING, RADIAL BALL (6204) (UU) (FUJIKOSHI)	001
023	91051-KVK-901	BEARING, RADIAL BALL (6203UU) (FUJIKOSHI)	001
024	91051-MGZ-J01	BEARING, RADIAL BALL (6303UU) (FUJIKOSHI)	001
025	91253-443-762	DUST SEAL (30X47X8) (NOK)	001
025	91253-443-761	DUST SEAL (30X47X8) (ARAI)	001
026	91253-443-762	DUST SEAL (30X47X8) (NOK)	001
026	91253-443-761	DUST SEAL (30X47X8) (ARAI)	001
027	91302-317-700	O-RING (54X2)	001
027	91307-MB0-000	O-RING (54X2)	001
027	91307-MB0-003	O-RING (54X2) (ARAI)	001