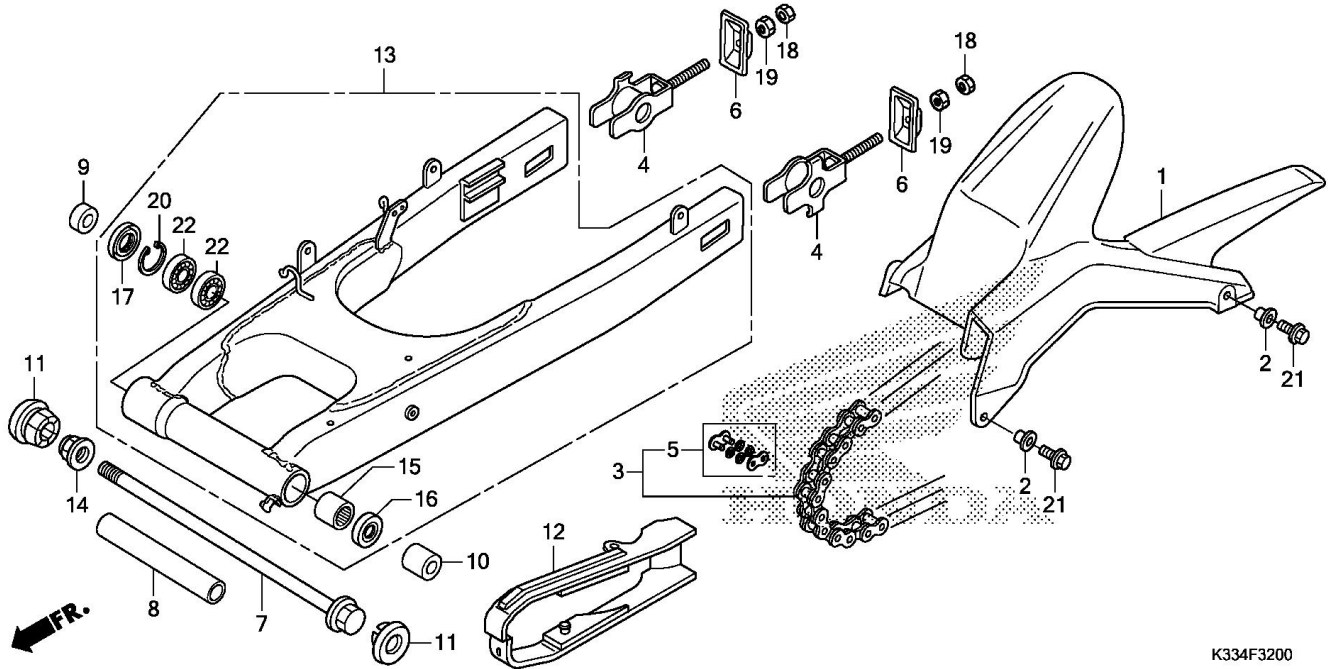




Model Name	CBR300R	Product Line	MOTORCYCLE
Model ID	CBR300R	Year	2017
Mfg	THA	Area	
Section	FRAME	Clr Label	R263-(MILLENNIUM RED)
		Illustration	SWINGARM



K334F3200

Ref.	Part Number	Part Description	Qty.
001	40510-KYJ-900	CASE, DRIVE CHAIN	001
002	40511-KYJ-900	COLLAR	004
003	40540-KYJ-901	CHAIN, DRIVE (RK520KLO-120LJFZ) (RK EXCEL) (STANDARD LINK 108L)	001
003	40540-KYJ-902	CHAIN, DRIVE (DID520VF-120ZB) (DAIDO) (STANDARD LINK 108L)	001
004	40543-KYJ-900	ADJUSTER, CHAIN	002
005	40545-KYJ-901	MASTER LINK (RK EXCEL)	001
005	40545-KYJ-902	MASTER LINK (DAIDO)	001
006	40546-KYJ-900	CAP, SWINGARM END	002
007	52101-KYJ-900	BOLT, SWINGARM PIVOT	001
008	52102-ML4-000	COLLAR, PIVOT DISTANCE	001
009	52105-MJ0-000	COLLAR B, SWINGARM PIVOT	001
010	52106-KYJ-900	COLLAR, PIVOT	001
011	52161-KYJ-900	CAP, SWINGARM PIVOT	002
012	52170-KYJ-900	SLIDER, CHAIN	001
013	52200-KYJ-900	SWINGARM SUB-ASSY., RR.	001
014	90305-KCJ-951	NUT, U (14MM) (FUJI SEIMITSU)	001
015	91071-MJ0-003	BEARING, NEEDLE (22X29X30) (NTN)	001
015	91071-MJ0-004	BEARING, NEEDLE (THOMPSON)	001
016	91205-965-003	OIL SEAL (22X31X5) (ARAI)	001
017	91213-MB2-003	DUST SEAL (22X35X7) (ARAI)	001
017	91213-MB2-006	DUST SEAL (22X35X7) (NOK)	001
018	94002-08000-0S	NUT, HEX. (8MM)	002
019	94031-08000	NUT, HEX. (8MM)	002
020	94520-35000	CIRCLIP (INNER) (35MM)	001
021	95701-06012-07	BOLT, FLANGE (6X12)	004
022	96100-62020-10	BEARING, RADIAL BALL (6202)	002